

### FEATURES

- Control of RGBW LED or 4 independent channels.
- External power supply required (12 or 24 VDC).
- LED test function.
- Integrated KNX BCU.
- Conformity with the CE directives.

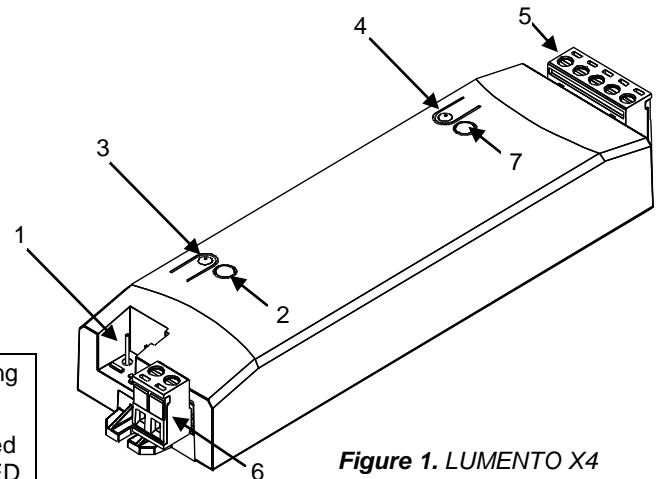


Figure 1. LUMENTO X4

1. KNX connector	2. KNX programming and internal test LED	3. KNX programming button
4. Test button	5. LED control terminal block	6. External power supply
		7. Test and reversed polarity indicator LED

**KNX programming button:** short button press to set the programming mode. If this button is held while plugging the device to the KNX bus, it enters into safe mode.

**KNX programming and internal test LED:** the red LED indicates programming mode. When the device goes into safe mode, it blinks red every 0.5 seconds. The blinking blue LED indicates internal test.

**Test button:** it tests the functioning of channels connected to the device. Push and hold for 3 seconds to get in/out of the testing mode.

**Test LED and polarity:** tricolored LED that indicates which channel (red=channel 1/R, green=channel 2/G, blue=channel 3/B, white=channel 4/W) is being tested. Orange light indicates reverse polarity in external power supply.

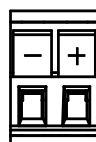
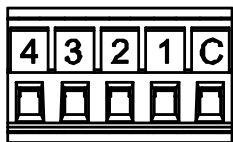
### GENERAL SPECIFICATIONS

Type of device	Electric operation control device	
KNX supply	Voltage (typical)	29VDC
	Voltage range	21...31VDC
	Power consumption	145mW
	Connection type	Typical bus connector TP1, 0.80mm <sup>2</sup> section
External power supply	12 or 24VDC	
Power supply cable section	1.5 mm <sup>2</sup> to 2.5 mm <sup>2</sup>	
Type of control	PWM (150, 300, 488 or 600 Hz)	
Operation temperature	0°C to +45°C	
Storage temperature	-5°C to +50°C	
Operation humidity	30 to 85% RH (no condensation)	
Storage humidity	30 to 85% RH (no condensation)	
Complementary characteristics	Class B	
Protection class	II	
Operation type	Continuous operation	
Device action type	Type 1	
Electrical stress period	Long	
Protection degree	IP20, clean environment	
Installation	Surface mounted independent device Connect LUMENTO as near as possible to both, the LED to dimmer and the external power supply	
Response on KNX bus failure	Data saving	
Response on KNX bus restart	Data recovery	
PCB CTI index	175V	
Housing material	PC-ABS FR V0 halogen free	
Dimensions	Without terminal blocks: 144x44x22mm / With terminal blocks: 157x44x22mm	
Weight	104g	
Operation indication	Programming/internal test LED indicates: programming mode (red lighting), safe mode (red blinking) and internal test (blue blinking). Test LED indicates: white, test channel 4 (W); red, test channel 1 (R); green, test channel 2 (G); blue, test channel 3 (B). Reverse polarity of external power supply is indicated by the test LED with orange light.	

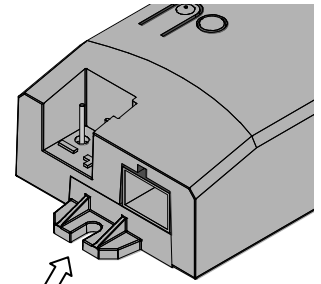
### OUTPUTS SPECIFICATIONS AND CONNECTIONS

Maximum current per channel	2.5A @ 25°C ambient temperature
Number of channels	4
Total power connected	120W (12VDC) or 240W (24VDC)
Connection type	Pluggable screw terminal block
Cable section	1.5 to 2.5mm <sup>2</sup>
Load type	Common anode
Shortcut protection	Yes
Overheating protection	Yes

### WIRING AND ASSEMBLY DIAGRAMS



**External power supply:**  
+ and - terminals of external power supply 12 or 24VDC



**Assembly:**  
Screw mounting, 2 holes of 3.5mm diameter. Screws not included.

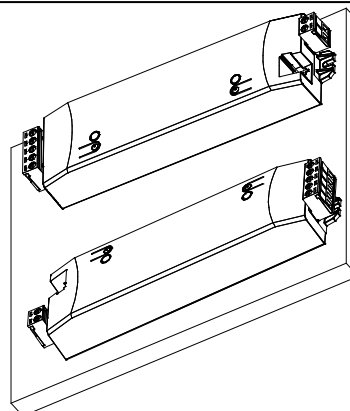
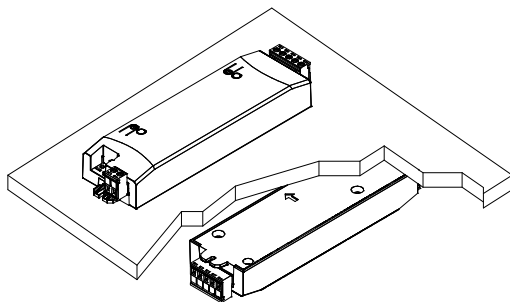
#### LED

The LED load is connected to the terminal block, matching the anode or the anode common terminal of the LED stripes with C (anode). The cathode can be connected to several output channels if it is necessary more than 2.5A (up to 10A) for the LED strip, **as long as the length and section of the wires used for the connections between the outputs and the strip are the same.**

#### Correspondence

C: Anode    1: Red    2: Green    3: Blue    4: White

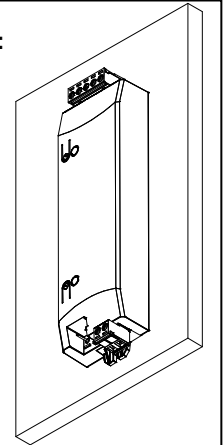
#### Recommended installation:



#### NOT recommended:

Vertical position.

If there is not any other possibility, install terminal block up (see fig.)



### SAFETY INSTRUCTIONS

- Installation should only be performed by qualified professionals according to the laws and regulations applicable in each country.
- Do not connect the mains voltage nor any other external voltage to any point of the KNX bus; it would represent a risk for the entire KNX system. The facility must have enough insulation between the mains (or auxiliary) voltage and the KNX bus or the wires of other accessories, in case of being installed.
- Once the device is installed, it must not be accessible from outside.
- Keep the device away from water and do not cover it with clothes, paper or any other material while in use.
- The WEEE logo means that this device contains electronic parts and it must be properly disposed of by following the instructions at <http://zennio.com/weee-regulation>.

